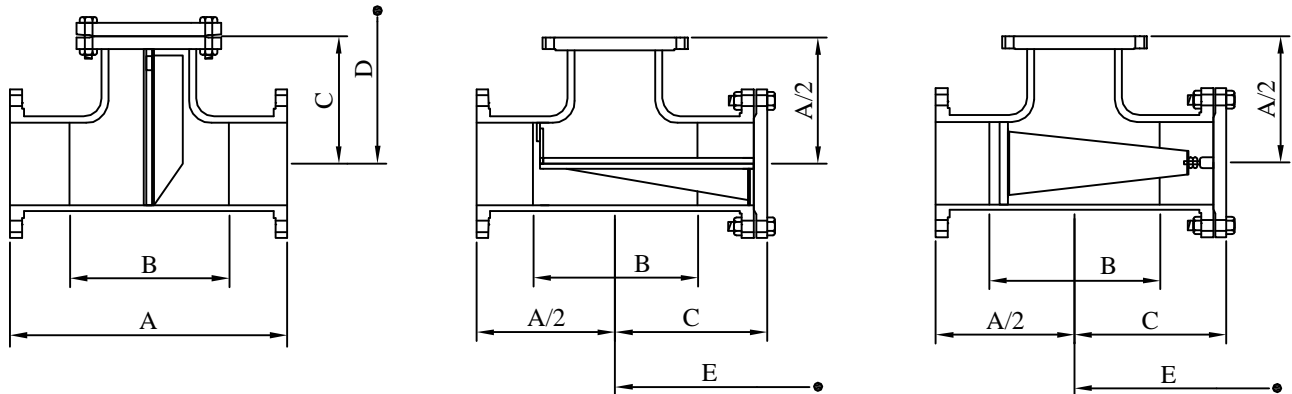




Fabricated Tee Strainer

Teleflo Strainers and Pressure Vessels



D & E - Maximum extension length at the of filter removal.

| Dimensional Data | | | | | | |
|------------------|--------|--------|--------|--------|--------|-------------|
| Size (nb) | A (mm) | B (mm) | C (mm) | D (mm) | E (mm) | Weight (kg) |
| 50 | 255 | 125 | 145 | 280 | 320 | 20 |
| 80 | 310 | 170 | 180 | 350 | 390 | 40 |
| 100 | 360 | 210 | 205 | 415 | 470 | 58 |
| 125 | 425 | 250 | 240 | 490 | 550 | 80 |
| 150 | 465 | 285 | 260 | 540 | 605 | 105 |
| 200 | 560 | 355 | 310 | 660 | 735 | 159 |
| 250 | 635 | 430 | 350 | 760 | 850 | 228 |
| 300 | 735 | 510 | 400 | 890 | 990 | 380 |
| 350 | 810 | 560 | 440 | 990 | 1090 | 550 |
| 400 | 865 | 610 | 470 | 1070 | 1170 | 650 |
| 450 | 965 | 685 | 520 | 1195 | 1300 | 780 |
| 500 | 1050 | 760 | 570 | 1300 | 1430 | 1050 |
| 600 | 1170 | 865 | 630 | 1475 | 1600 | 1660 |

Dimensions are subjected to change.
Ask for certified drawing while ordering.

Features:

- Can be supplied with slip on and weld neck flanges.
- Fabricated, casted and forged options are available.
- Carbon steel and Stainless Steel materials of construction available.
- Minimum pressure drop.
- Free straining area is more than 2.5 times the pipe cross section area.
- Differentials and drains optional.

Screens

- 50- 200 nb - 3.2mm hole diameter X 0.75mm thick.
- 250 to 300 nb - 3.2mm hole diameter X 1.5mm thick
- 350 to 600 nb - 4.8mm hole diameter X 3mm thick.
- Other screen and lining could be made on request.