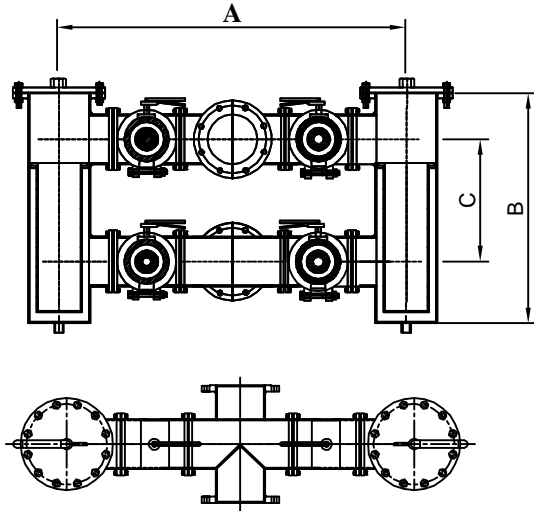




Duplex Strainers

Teleflo Strainers and Pressure Vessels



DFBFV SERIES

Dimensional Data				
Size (nb)	DFBFV- Series			
	A	B	C	Weight
25	515	360	180	39
50	660	660	350	110
80	760	780	370	135
100	945	850	440	200
150	1120	1040	530	322
200	1530	1200	600	640
250	1625	1320	660	840
300	1800	1570	755	1215
350	1920	1730	810	1810
400	2130	1880	890	2400
450	2400	1940	910	2670
500	2640	2240	1020	3630
550	2870	2445	1130	3850
600	3100	2650	1220	4075
650	3225	2860	1380	4350
700	3570	3060	1500	4875

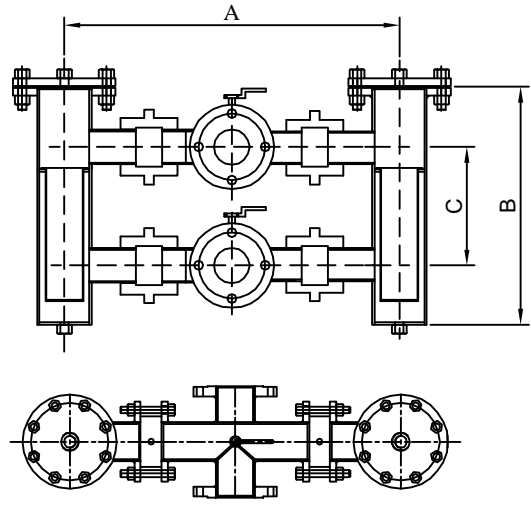
Dimensions are subjected to change.
Ask for certified drawing while ordering.

DFBFV SERIES

- Standard sizes are from 25nb to 700nb.
- Available with both SORF and SOFF end connection.
- Four Butterfly valves are used to divert flow.
- Strainers with davit arm can be supplied for easy removal of covers if required.
- Covers designed to suit specific pressure and temperature conditions and thus are cost effective.

Screen

- Screens are as per basket strainers.



DTBV SERIES

Dimensional Data				
Size (nb)	DTBV-Series			
	A	B	C	Weight
15	300	200	75	9
20	375	225	100	16
25	450	300	140	20
50	600	400	200	42
80	710	555	320	61
100	945	750	430	88
150	1110	1020	530	120

Dimensions are subjected to change.
Ask for certified drawing while ordering.

DTBV SERIES

- Standard sizes are from 15nb to 80nb .
- Available with both SORF and SOFF end connection.
- Can be installed only in horizontal, parallel and offline pipes.
- Three way ball valves are used to divert the flow.

NOTE

Drain and vent with plugs are standard, valves can be provided on request.